

0.25mm Visible Light PIN photodiode

Version: 3.1 17-03-01

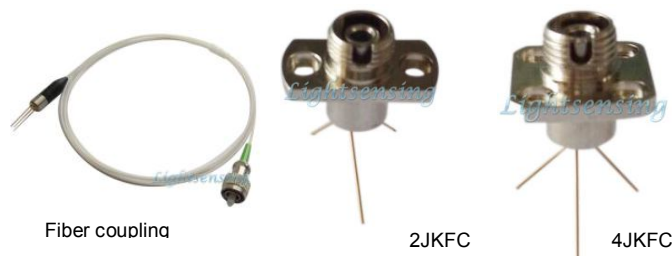
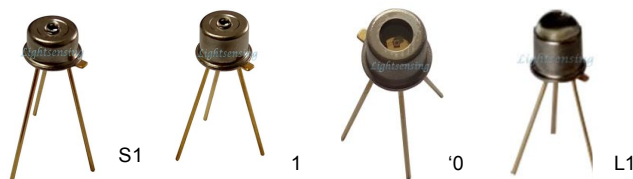
Model: LSGSPD-UL0.25

Features:

- High reliability, Ultra low dark current
- Active diameter 0.25mm
- Wavelength 500-880nm,
- Blindness to IR light, without filter
- TO46 Can or Mini Can with receptacle or with fiber coupling

Applications:

- Optical sensor
- Optical power meter
- Industrial automatic control
- Science analysis and experiment
- Space light detect equipment
- Response spectrum testing



Absolute maximum ratings:

parameter	symbol	value	unit
Operating temperature	Top	-40~+85	°C
Storage temperature	Tstg	-40~+100	°C
Forward current	I _f	4	mA
Reverse voltage	V _r	20	V
Soldering temperature(time)	T _s (10s)	260	°C

Electrical and optical characteristics:(T=25°C)

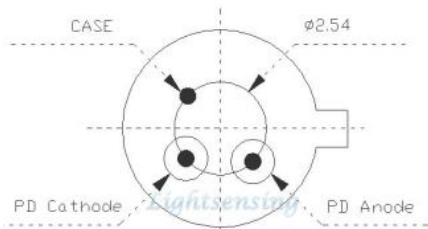
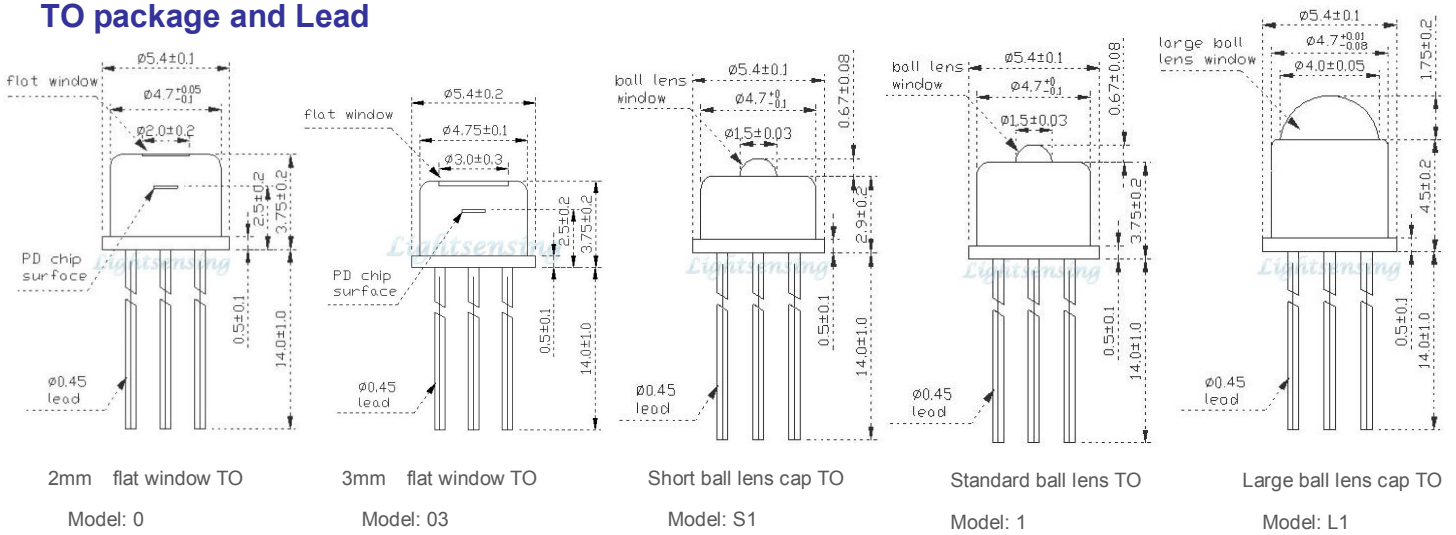
parameter	symbol	unit	Value (typ.)
Active diameter	Φ	mm	0.25
Spectral range	λ	nm	500-880
Responsivity	Re(V _R =0V,λ=532nm)	mA/mW	0.10
	Re(V _R =0V,λ=808nm)	mA/mW	0.55
Response time	Tr (R _L =50Ω, V _R =5V)	ns	0.4
Dark current	Id(V _R =0V)	pA	0.1
	Id(V _R =5V)	pA	1
Reverse Breakdown voltage	V _{BR} (I _R =10uA)	V	50
Junction capacitance	Cj (f=1MHz, V _R =0V)	pF	40
	Cj (f=1MHz, V _R =5V)	pF	3
Saturated Optical Power	Ps(V _R =5V)	mW	5
Operating voltage	V _R	V	0-10
Shunt resistance	R _{sh} (V _R =10mV)	GΩ	100
package	TO46 Can or with receptacle or with fiber coupling		

NOTICE: The above product specifications are subject to change without notice.

The typical Responsivity curve



TO package and Lead



Type B PIN description

Bottom View

Note: In order to get other dimensions, please contact us.

Order information

LSGSPD-UL0.25-X-X

X=B	Type B PIN description	X=0	TO-46 Can with 2mm flat window cap
X=other	By customer's request	X=03	TO-46 Can with 3mm flat window cap
		X=S1	TO-46 Can with short ball lens cap
		X=1	TO-46 Can with ball lens cap
		X=L1	TO-46 Can with large ball lens cap
		X=SMFA/P	TO-46 Can with SM Fiber coupling with FC-APC/FC-PC connector
		X=SMSA	TO-46 Can with SM Fiber coupling with SC-APC connector
		X=5MMFA/P	TO-46 Can with 50um MM Fiber coupling with FC-APC/FC-PC connector
		X=6MMFA/P	TO-46 Can with 62.5um MM Fiber coupling with FC-APC/FC-PC connector
		X=10MMFA/P	TO-46 Can with 105um MM Fiber coupling with FC-APC/FC-PC connector
		X=20MMFA/P	TO-46 Can with 200um MM Fiber coupling with FC-APC/FC-PC connector
		X=2JKFC	TO-46 Can with fixed receptacle with FC connector and 2 pieces of fix holes
		X=4JKFC	TO-46 Can with fixed receptacle with FC connector and 4 pieces of fix holes
		X=Other	By customer's request

The cautions

- 1: The above product specifications are subject to change without notice.
- 2: The suitable ESD protection is required in storage, transportation and using
- 3: The fiber bending radius no less than 20mm for avoiding fiber damaged ,Be sure the fiber coupling facet is clean before connecting it to opto-circuit.